



## AEDELED30/WW



### Features

Compact and economic aluminium LED floodlight

Only suitable for semi commercial applications

30W comparable light output of 35W HQI

Bracket design allows installation without removing mounting bracket

Pre-wired with 1 metre of rubber insulated cable for ease of installation

Cool white and warm white options available

LED lifespan L90 36,000 hours

Non-dimmable

## General Information

Lamp Type	LED
Colour / Finish	Black
IP Rating	IP65
IK Rating	IK06
Class Protection	1
Internal / External	Internal/External
Surface / Recessed / Suspended	Surface
Warranty (Years)	2
CE Mark	Yes
Length (mm)	163
Width (mm)	167
Depth (mm)	31

## Technical Information

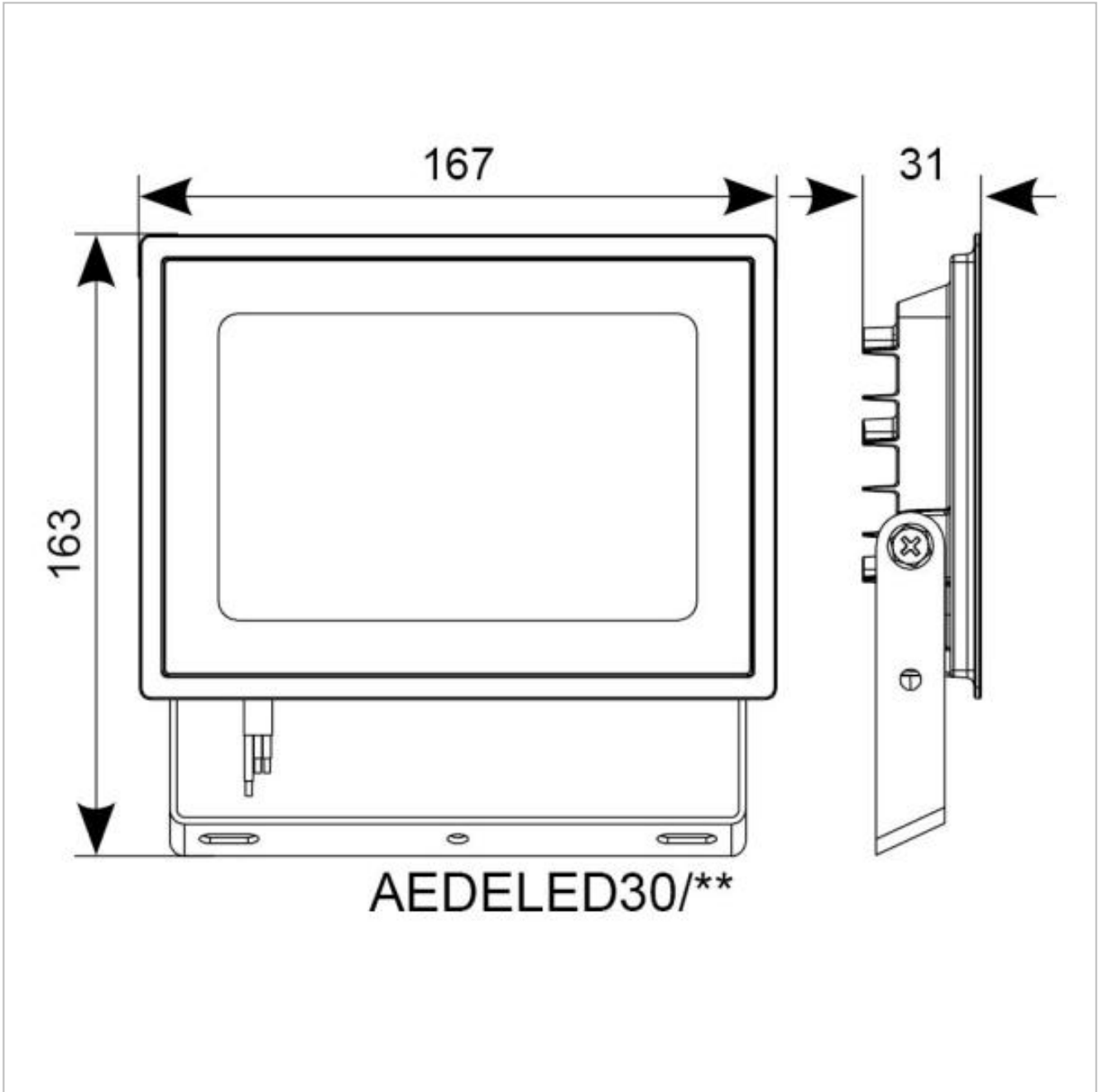
Wattage	30W
Lumens Delivered	2547lm
Lm/W	85lm
CRI	Ra 80
CCT	3000K
Input	220-240V
Hertz	50/60hz
Operating Temp	-20 to 40

## Technical Data - ETIM - Downlight/spot/floodlight (EC001744)

Suitable for surface mounting	Yes
Suitable for built-in mounting	No
Suitable for wall mounting	Yes
Suitable for suspended mounting	No
Suitable for ceiling mounting	No
Suitable for traverse mounting	No
Suitable for light-track mounting	No
Adjustability	Swivelling
With movement sensor	No
With light sensor	No
With light source	Yes
Material housing	Aluminium
Nominal voltage	220-240 V
Control gear included	Yes
No dim function	Yes
Degree of protection (IP)	IP65
Impact strength	IK06
Protection class	I
Max. system power	30 W
Colour of light	White
Colour temperature	3000-3000 K
Colour rendering index CRI	80-89
Rated luminous flux acc. IEC 62722-2-1	2547 lm
Lamp efficacy	85 lm/W
Width	31 mm

Height/depth 163 mm

Length 167 mm



Datasheet generated from <https://onetimepim.com> last updated Monday, September 6, 2021 1:24:46 PM